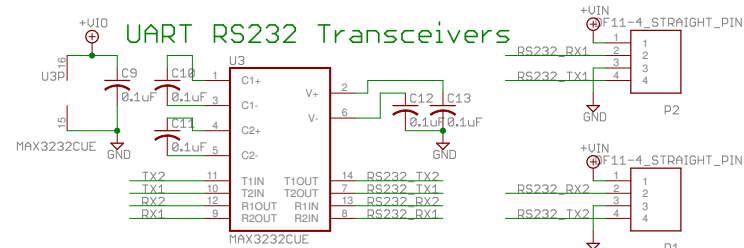
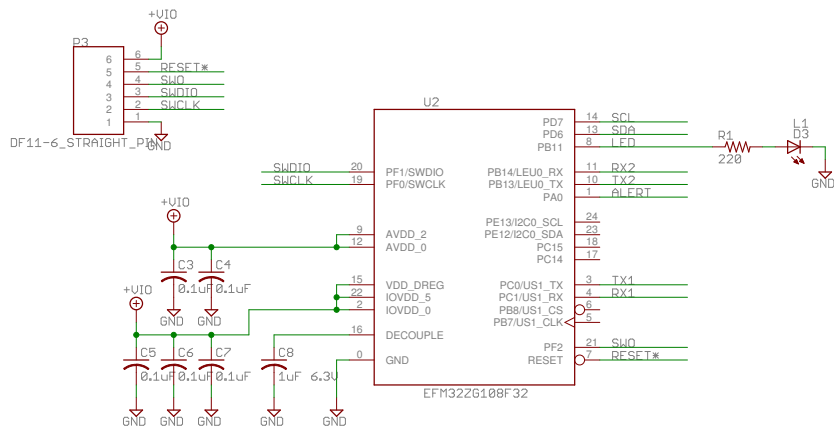
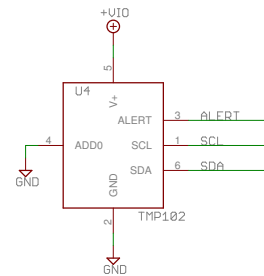
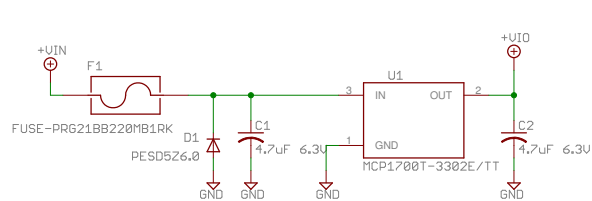


TI TMP102

LOW PWR DIGITAL TEMP. SENSOR

V+: +1.4V to +3.6V



Enginusing LLC	
TITLE: TMP102 RS232x2	
Released under the Creative Commons Attribution Share-Alike 4.0 License https://creativecommons.org/licenses/by-sa/4.0/	
Date: 3/14/17 7:29 PM	REV: C Sheet: 1/1