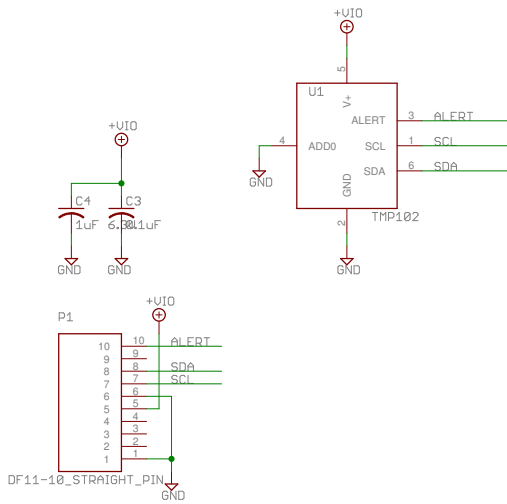


TI TMP102
 LOW PWR DIGITAL TEMP. SENSOR
 V+: +1.4V to +3.6V



Engimusing LLC	
TITLE: TMP102 DF11	
Released under the Creative Commons Attribution Share-Alike 4.0 License https://creativecommons.org/licenses/by-sa/4.0/	REV: C
Date: 3/14/17 7:24 PM	Sheet: 1/1