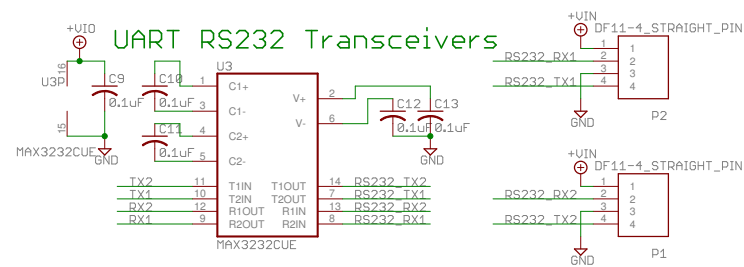
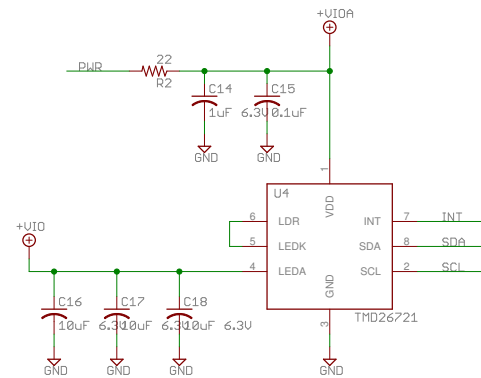
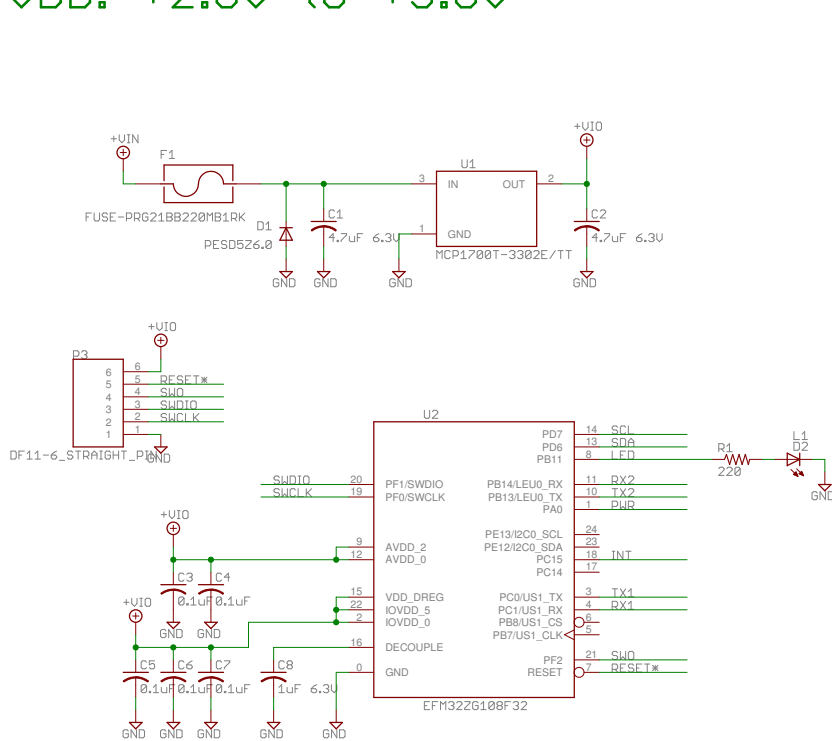


# TAOS TMD26721 Ambient Proximity Detector VDD: +2.6V to +3.6V



Enginusing LLC	
TITLE: TMD26721 Proximity Detector	
Released under the Creative Commons Attribution Share-Alike 4.0 License <a href="https://creativecommons.org/licenses/by-sa/4.0/">https://creativecommons.org/licenses/by-sa/4.0/</a>	
Date: 3/20/17 11:32 PM	REV: D Sheet: 1/1