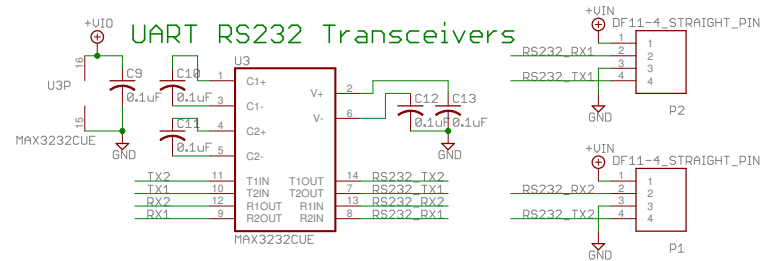
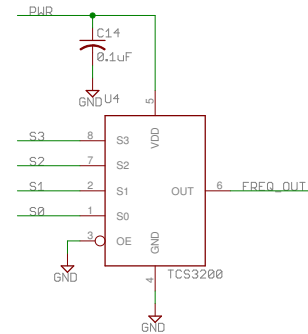
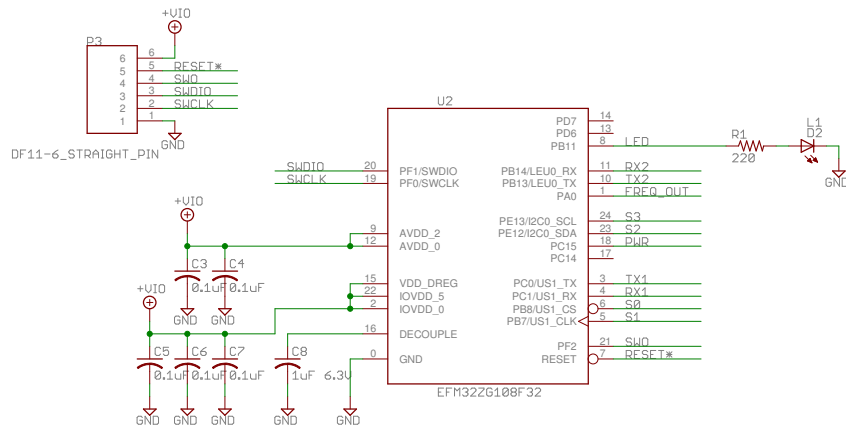
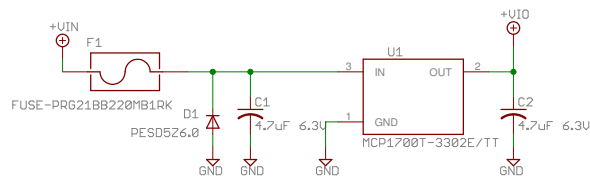


TAOS_TCS3200_Frequency_Color_Sensor

VDD: +2.7V to +5.5V

S0	S1	OUTPUT FREQUENCY SCALING
L	L	POWER DOWN
L	H	2%
H	L	20%
H	H	100%

S2	S3	PHOTODIODE TYPE
L	L	RED
L	H	BLUE
H	L	CLEAR (NO FILTER)
H	H	GREEN



Enginusing LLC	
TITLE: TCS3200 Freq. Color Sensor RS232x2	
Released under the Creative Commons Attribution Share-Alike 4.0 License https://creativecommons.org/licenses/by-sa/4.0/	
Date: 3/20/17 8:37 PM	REV: C Sheet: 1/1