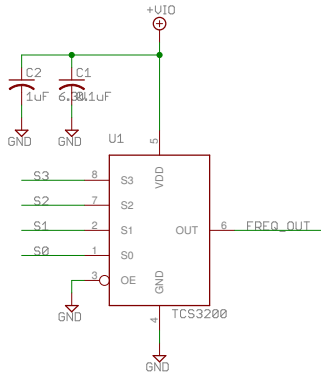


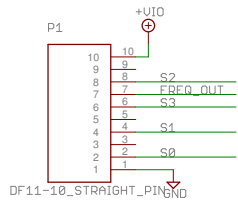
TA0S_TCS3200_Frequency_Color_Sensor

VDD: +2.7V to +5.5V



S2	S3	PHOTODIODE TYPE
L	L	RED
L	H	BLUE
H	L	CLEAR (NO FILTER)
H	H	GREEN

S0	S1	OUTPUT FREQUENCY SCALING
L	L	POWER DOWN
H	L	2%
L	H	20%
H	H	100%



Engimusing LLC	
TITLE: TCS3200 Frequency Color Sensor DF11	
Released under the Creative Commons Attribution Share-Alike 4.0 license https://creativecommons.org/licenses/by-sa/4.0/	REV: B
Date: 3/20/17 8:34 PM	Sheet: 1/1