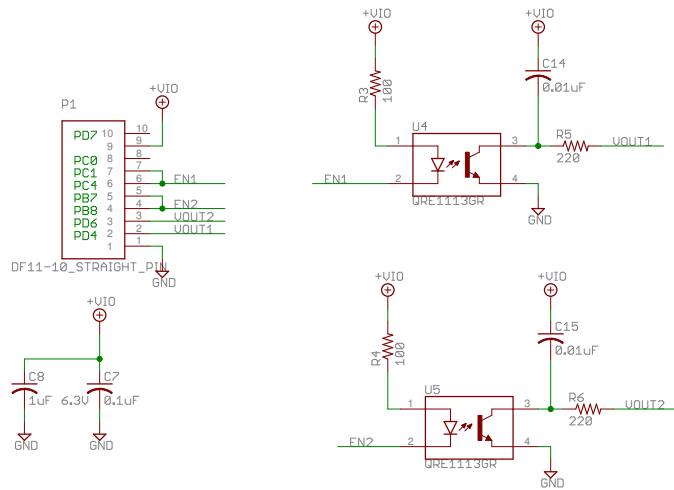


Fairchild QRE1113 Reflective Object Sensor

+VIO: +3.3V to +5V



Engimusing LLC	
TITLE: QRE1113 Dual DF11	
Released under the Creative Commons Attribution Share-Alike 4.0 License https://creativecommons.org/licenses/by-sa/4.0/	
Date: 3/20/17 12:40 PM	REV: C Sheet: 1/1