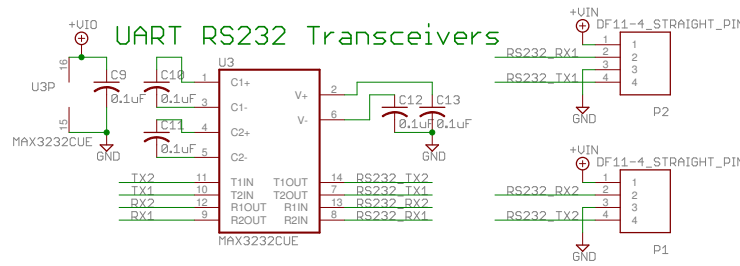
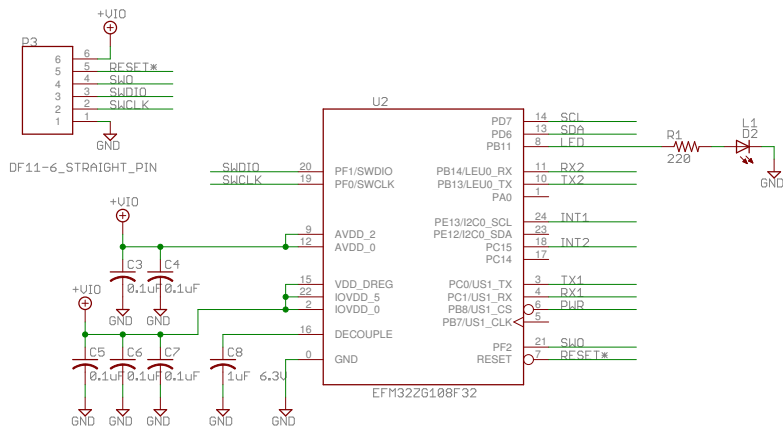
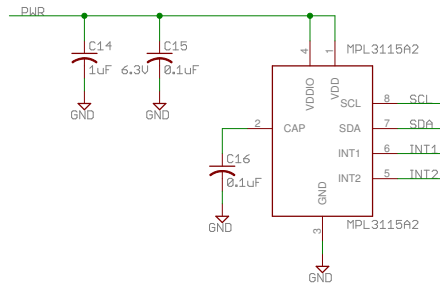
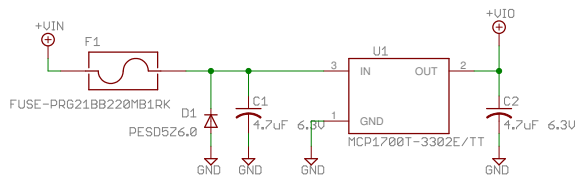


Freescale MPL3115A2 ALTITUDE/PRESSURE SENSOR

VDD: +1.95 to +3.6V
VDDIO: +1.62 to +3.6V



Enginusing LLC	
TITLE: MPL3115A2 Altitude/Pressure RS232x2	
Released under the Creative Commons Attribution Share-Alike 4.0 License https://creativecommons.org/licenses/by-sa/4.0/	
Date: 3/20/17 11:47 AM	REV: C Sheet: 1/1