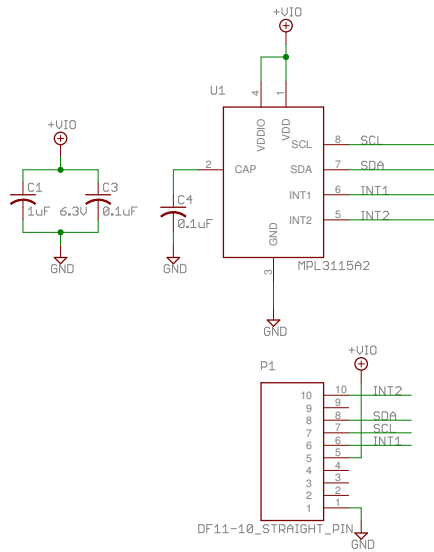


Freescale MPL3115A2
 ALTITUDE/PRESSURE SENSOR
 VDD: +1.95 to +3.6V
 VDDIO: +1.62 to +3.6V



Engimusing LLC	
TITLE: MPL3115A2 Altitude Pressure Sensor	
Released under the Creative Commons Attribution Share-Alike 4.0 License https://creativecommons.org/licenses/by-sa/4.0/	REV: C
Date: 3/20/17 11:45 AM	Sheet: 1/1