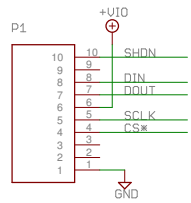
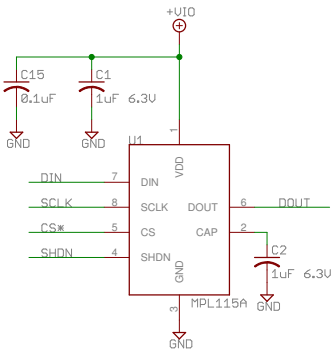


Freescale MPL115A1
 Barometric Pressure Sensor
 VDD: +2.375 to +5.5V



DF11-10_STRAIGHT_PIN

Engimusing LLC	
TITLE: MPL115A1 Barometer	
Released under the Creative Commons Attribution Share-Alike 4.0 License https://creativecommons.org/licenses/by-sa/4.0/	
Date: 3/20/17 11:40 AM	REV: B Sheet: 1/1