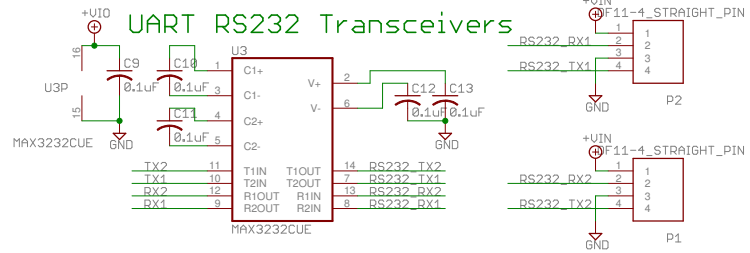
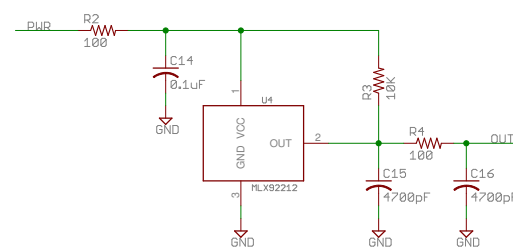
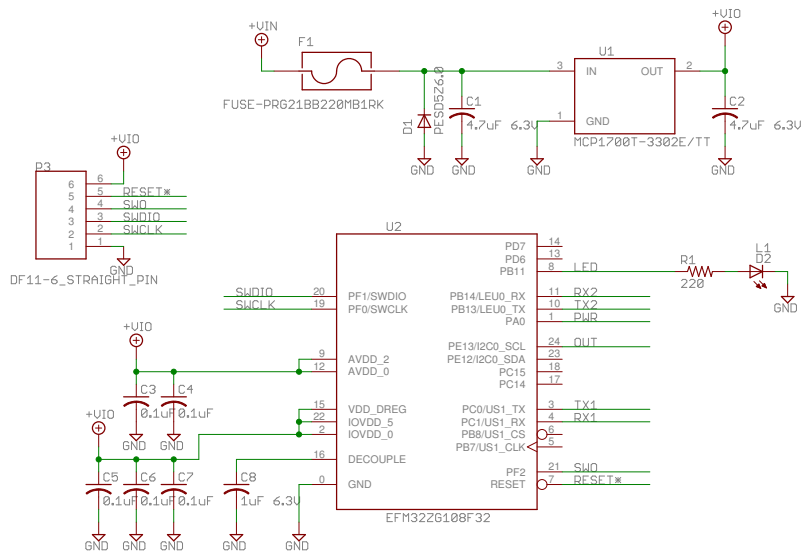


Melexis MLX92212LSE 3-Wire Hall Effect Latch/Switch

VDD: +2.5V to +5.5V

MLX92212LSE-AAA-000-RE Very Sensitive Latch

MLX92212LSE-ABA-000-RE Low Hysteresis Unipolar Switch



Enginusing LLC	
TITLE: MLX92212 Hall Effect Latch/Switch	
Released under the Creative Commons Attribution Share-Alike 4.0 License https://creativecommons.org/licenses/by-sa/4.0/	
Date: not saved!	REV: C Sheet: 1/1