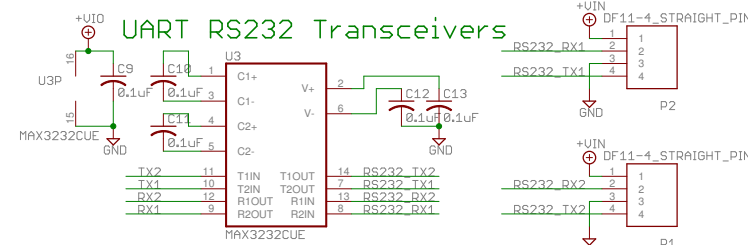
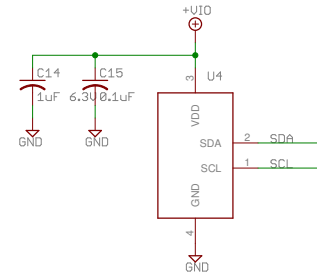
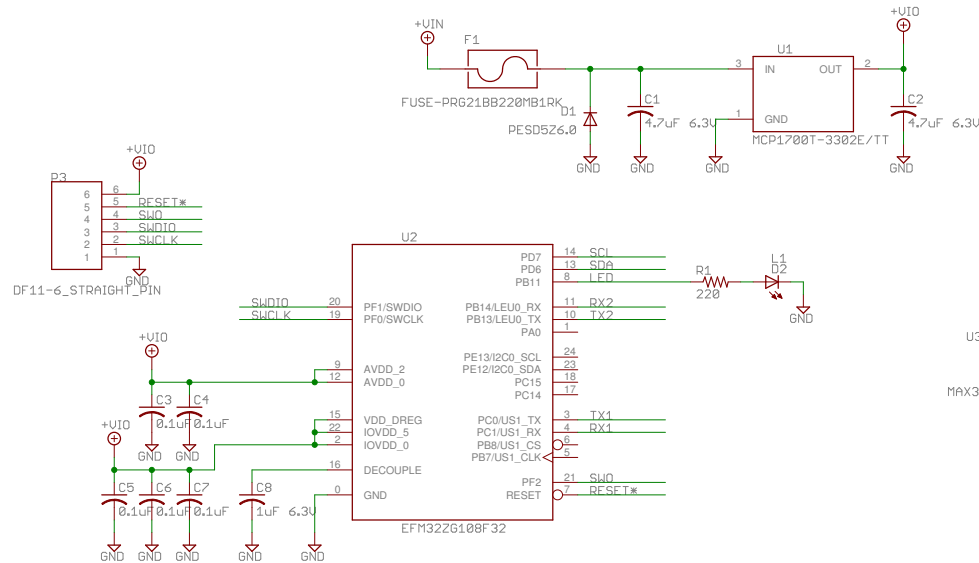


Melexis MLX90614  
DIGITAL INFRARED THERMOMETER  
MXL90614ESF-BAA-000-TU  
VDD: +2.6V to +3.6V

Mount MLX90614 off the board  
to avoid thermal gradients



Enginusing LLC	
TITLE: MLX90614 Infrared Thermometer	
Released under the Creative Commons Attribution Share-Alike 4.0 License <a href="https://creativecommons.org/licenses/by-sa/4.0/">https://creativecommons.org/licenses/by-sa/4.0/</a>	
Date: 3/20/17 11:26 AM	REV: C Sheet: 1/1