

OpenHAB Tutorial

Red Switch

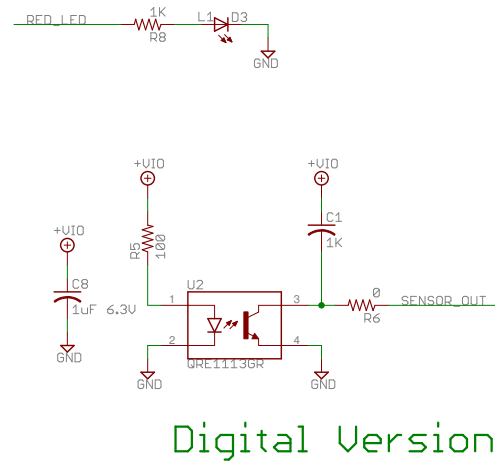
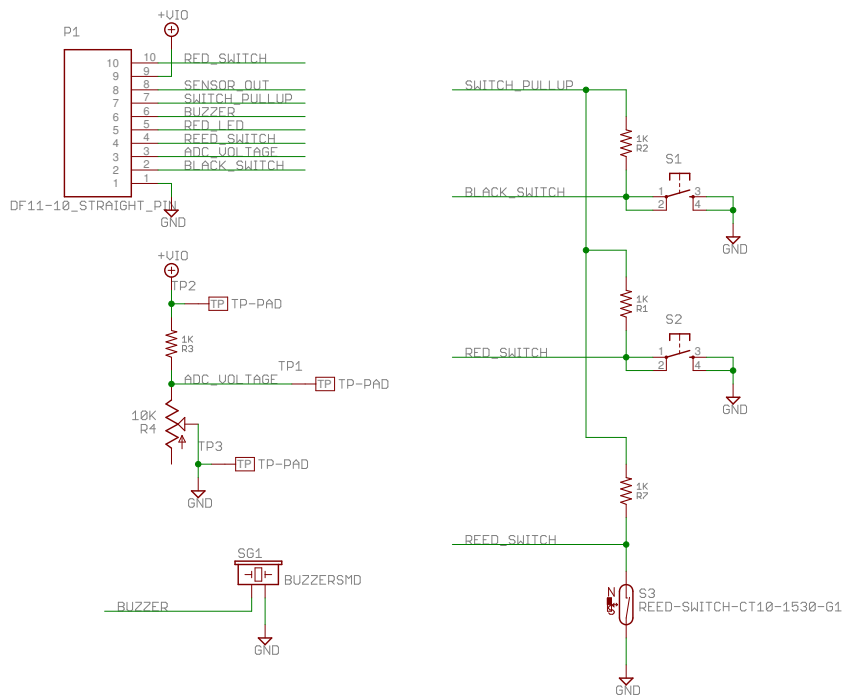
Black Switch

Reed Switch

Buzzer

ADC Voltage Potentiometer

Reflective Object Sensor



Engimusing LLC	
TITLE: openHAB Tutorial Board	
Released under the Creative Commons Attribution Share-Alike 4.0 License https://creativecommons.org/licenses/by-sa/4.0/	
Date: 3/18/17 11:17 AM	REV: B Sheet: 1/1