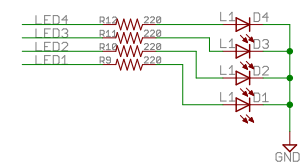
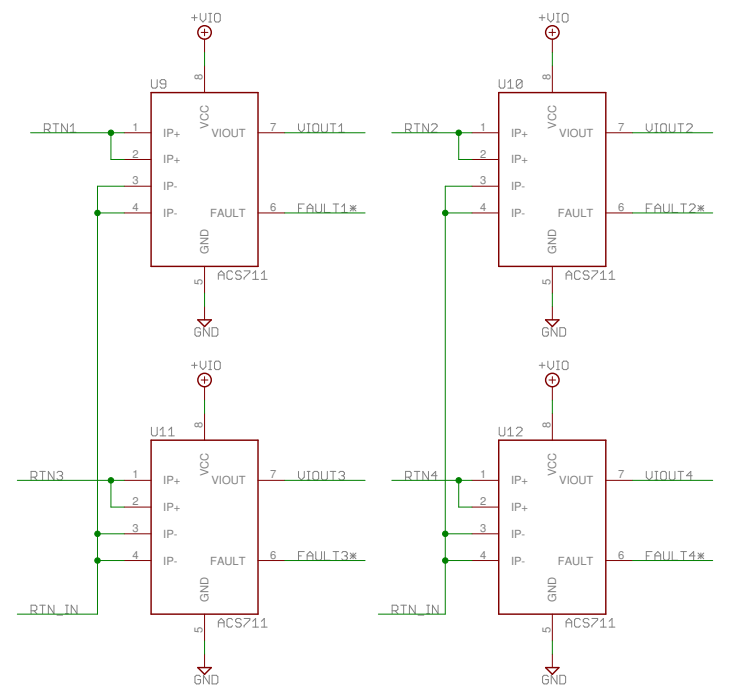
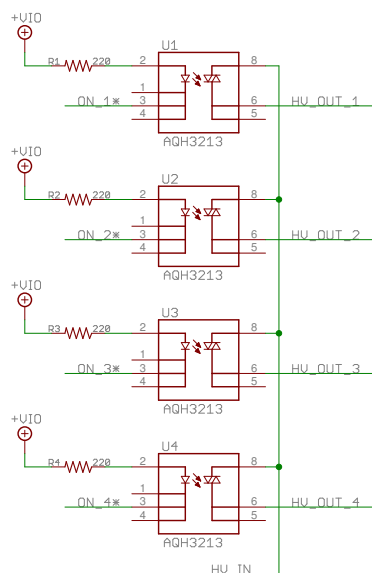
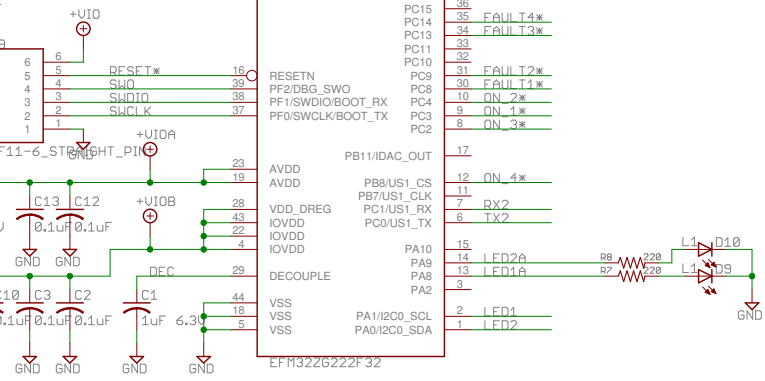
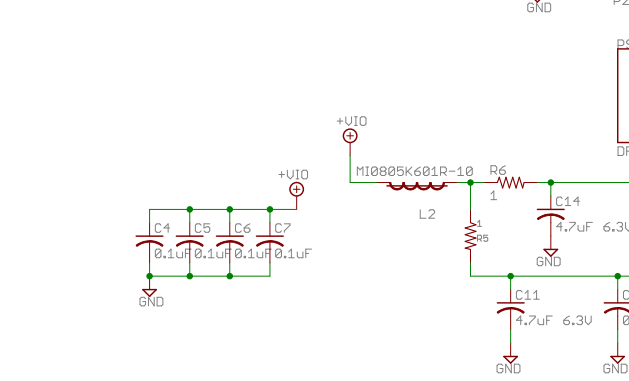
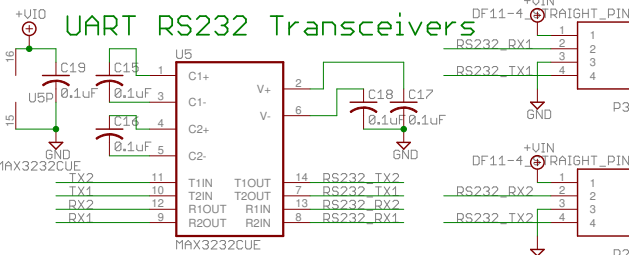
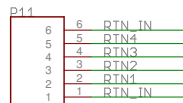
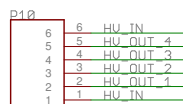
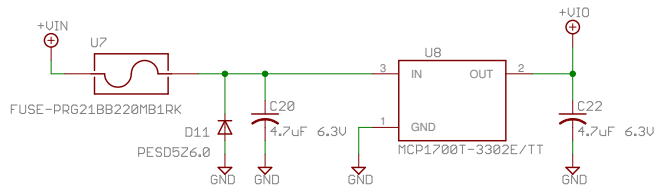


Panasonic  
AQH3213 Quad Relay  
1.2A Zero Cross  
Use 20mA high drive on outputs

Allegro ACS711 Current Sensor  
12.5A Range



<b>Enginusing LLC</b>	
TITLE: AQH3213/ACS716 Quad RS232x2	
Released under the Creative Commons Attribution Share-Alike 4.0 License <a href="https://creativecommons.org/licenses/by-sa/4.0/">https://creativecommons.org/licenses/by-sa/4.0/</a>	
Date: 3/17/17 3:08 PM	REV: D Sheet: 1/1