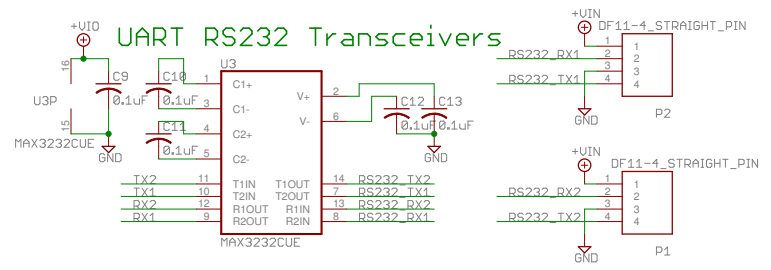
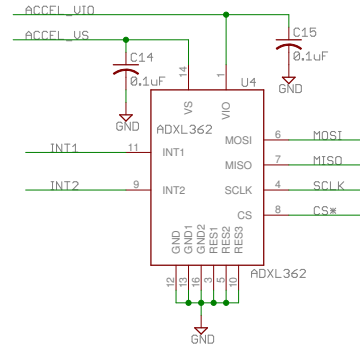
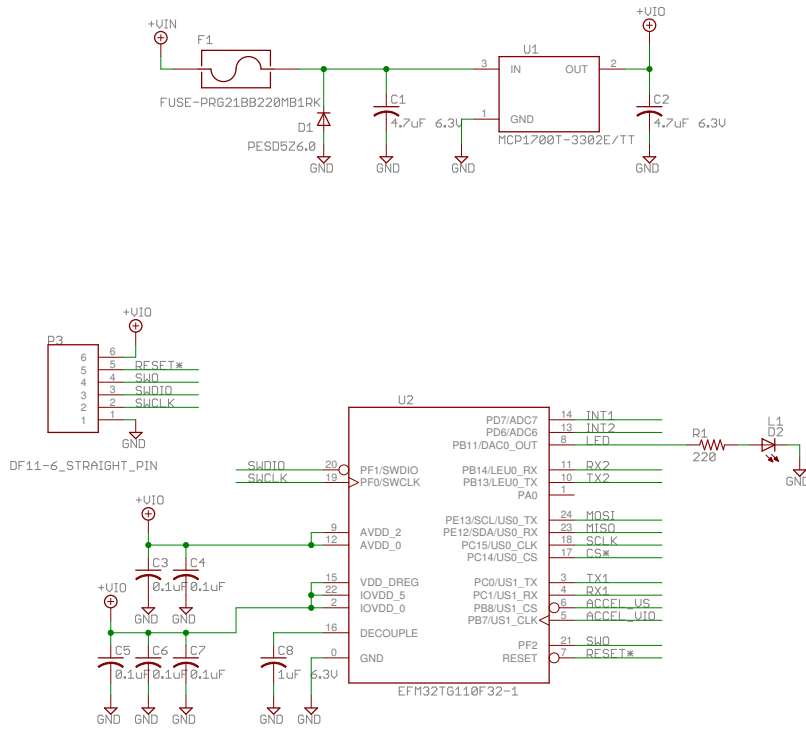


ADXL362 3-AXIS ACELEROMETER VS/VIO: -0.3V to +3.6V



Enginusing LLC	
TITLE: ADXL362 3-axis Accelerometer RS232x2	
Released under the Creative Commons Attribution Share-Alike 4.0 License https://creativecommons.org/licenses/by-sa/4.0/	
Date: 3/17/17 11:12 AM	REV: C Sheet: 1/1