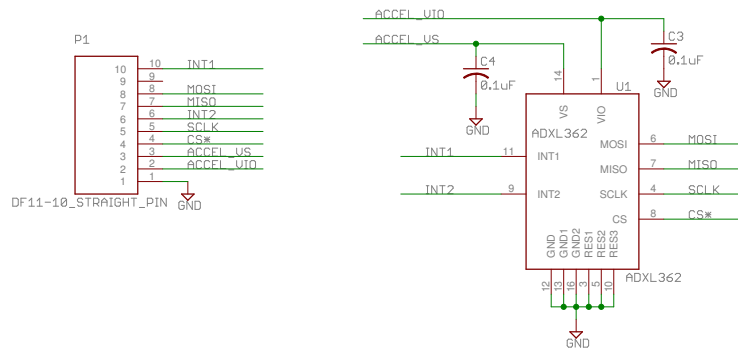


ADXL362
 3-AXIS ACCELEROMETER
 VS: +1.6V to +3.5V
 VIO: +1.6V to +VS



Enginusing LLC	
TITLE: ADXL362 3-Axis Accelerometer DF11	
Released under the Creative Commons Attribution Share-Alike 4.0 License https://creativecommons.org/licenses/by-sa/4.0/	
Date: 3/17/17 11:09 AM	REV: C Sheet: 1/1