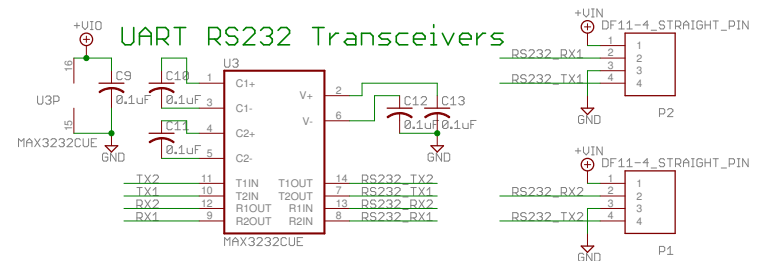
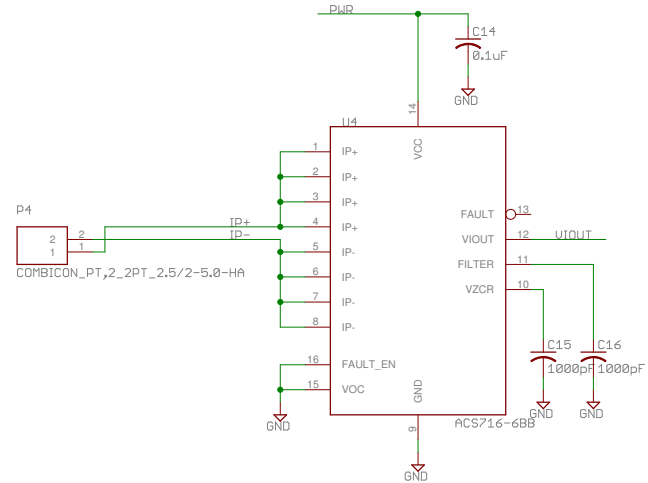
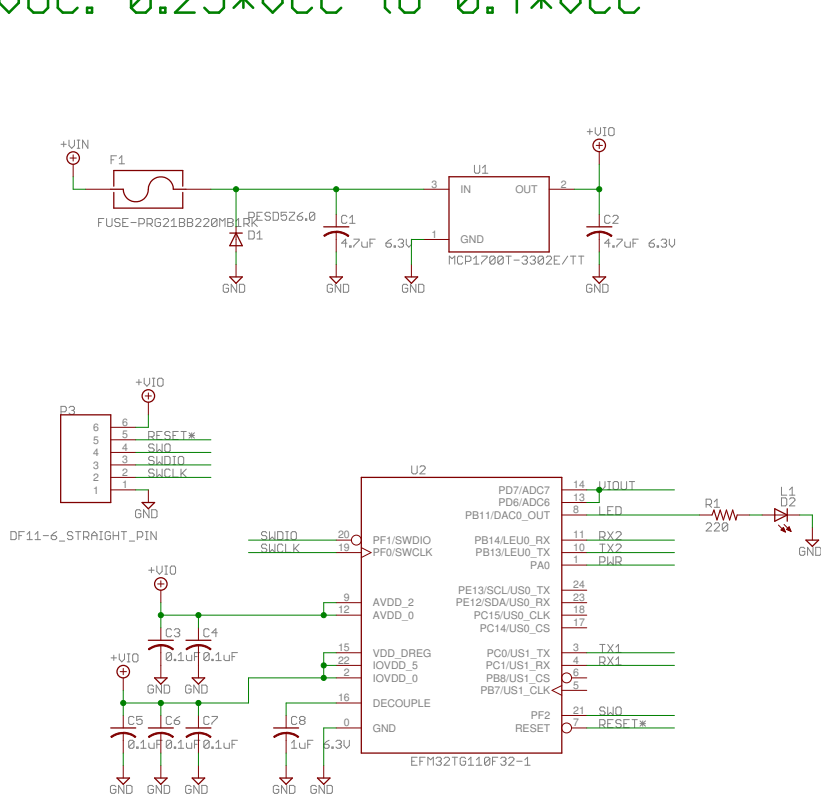


Allegro ACS716

Hall Effect Linear Current Sensor

VCC: +3V to +3.6V
 VOC: $0.25 * VCC$ to $0.4 * VCC$



Enginusing LLC	
TITLE: ACS716 Current Sensor RS232x2	
Released under the Creative Commons Attribution Share-Alike 4.0 License https://creativecommons.org/licenses/by-sa/4.0/	
Date: 3/17/17 10:58 AM	REV: F Sheet: 1/1