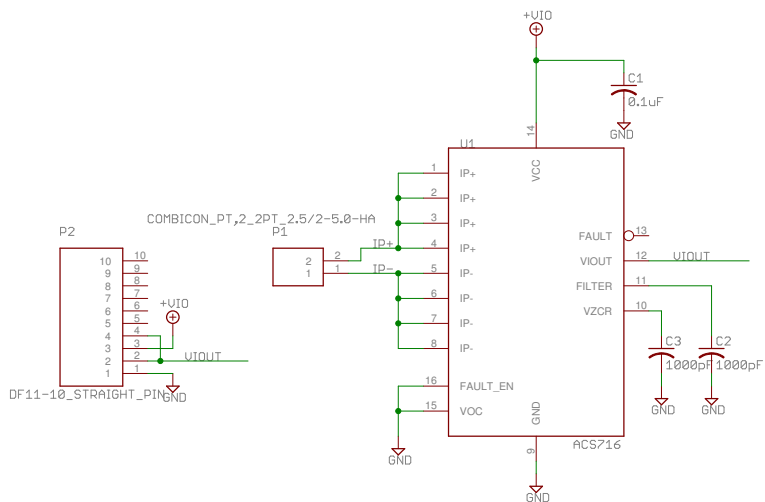


Allegro ACS716 Hall Effect Linear Current Sensor

VCC: +3V to +3.6V

Use 20mA drive strength when supplying power via GPIO



Engimusing LLC

TITLE: ACS716 Current Sensor DF11

Released under the Creative Commons
Attribution Share-Alike 4.0 License
<https://creativecommons.org/licenses/by-sa/4.0/>

REV: D

Date: 3/17/17 10:53 AM

Sheet: 1/1